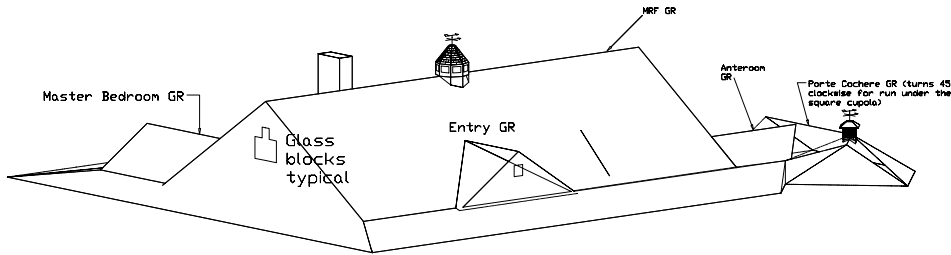


ROOF STUDY - SHEET 3 OF 3 - PERSPECTIVES

0.75 to Scale on Orthogonals, Annotated

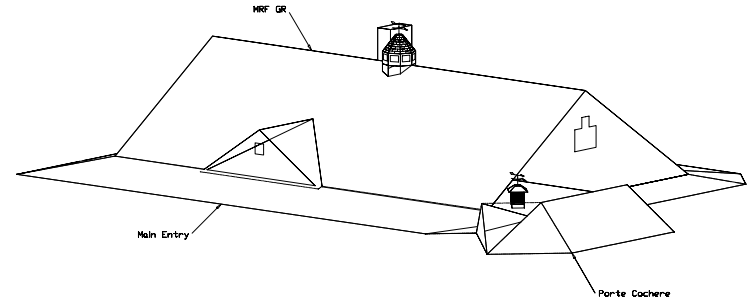
NOTES: 1. Shed roof joints to house at various Hs due to a) various Ls of runs - different Ds of Ps, different Ds of overhangs, and b) a design specification to keep P CLG and soffits and PRF PRM at the same H all around the house. Only N. shed joints at top plates' top of face, chosen for that PRF's shortest run. All other PRs ride higher.

KEY:
CLG = Ceiling
D = Depth
GR = Gable Ridge
H = Height
L = Length
MRF = Main Roof
P = Porch
PR = Porch Ridge
PRF = Porch Roof



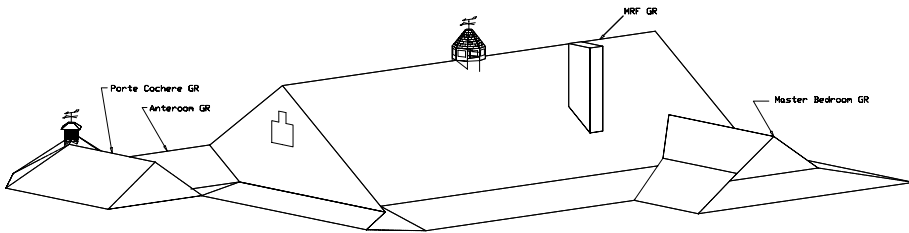
Southeast View, Perspective,
Wireframe, Shaded

Rotation from Front Face:
40° counterclockwise, 10° down.
Rescaling: 0.75 to Scale.



Northeast View, Perspective,
Wireframe, Shaded

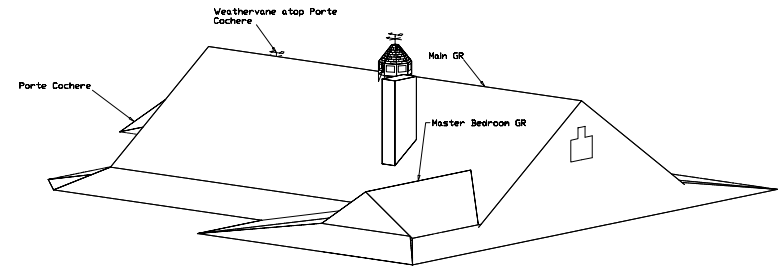
Rotation from Front Face: 140° counterclockwise, 10° down.
Rescaling: 0.75 to Scale.



Northwest View, Perspective,
Wireframe, Shaded

SCALE: 1/4" = 1'-0".

Rotation from Front Face: 220° counterclockwise, 10° down.
Rescaling: 0.75 to Scale.



Southwest View, Perspective,
Wireframe, Shaded

Rotation from Front Face: 320° counterclockwise, 10° down.
Rescaling: 0.75 to Scale.