

Prepared for -  
 Custom Home Builder/Remodeler  
 Northeast U.S.

# PLAN DETAIL - 3 of 3

Prepared by -  
 Before The Architect  
 Cumming, GA  
 December 1, 2003  
 SHEET 4 of 17

NOTE that ledgers of 4 different types are applied in this project. A table of site and type follows:

SITE	TYPE
DK to RDH addition	1*
RDH addition to EXG, L1	2
RDH addition to EXG, L2	2
FPD to FDH EXG, FL	3
FPD to FDH EXG, CLG	3
SOG to LDH EXG	4
Gable extension to LDH, L2	3

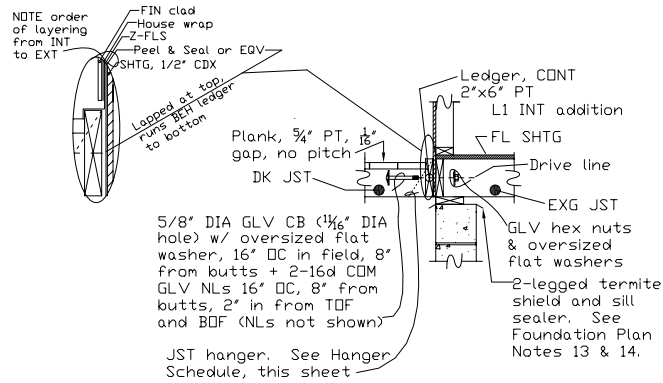
\*If change in EL BET FR FL TDF and DK plank TDF is NGT 4' APX, then Type 1 may apply, if change is GT 4' APX, then either a combination of Type 1 & 2 applies or Type 2 applies alone.  
 Possible resolution: EL change be NGT 2' (difference BET x6' and x8' members)  
 DN from FR to DK and apply Type 1.

### KEY TO ABBREVIATIONS:

ABV = Above	CDM = Common	FDH = Front Of House	OC = On Center
ADH = Adhesive	CONC = CONCrete	FPD = Front Porch	PT = Pressure-Treated
APX = Approximately	CONT = CONTinuous	FR = Family Room	RDH = Right (side) Of House
BEH = BEHind	D = Depth	G = Garage	RR = ReBAR
BET = BETween	DIA = DIAMeter	GLV = GalVanized	SHTG = SheATHing
BF = Brick Face	DK = Deck	INT = INTERior	SOG = Slab On Grade
BM = BeAM	EQV = EquiValent	LDH = Left (side) Of House	SS = Stainless Steel
BDF = Bottom Of Face	EL = Elevation	JST = JoIST	TDF = Top Of Face
CB = Carriage Bolt	EXG = EXistinG	NGT = Not Greater Than	WWM = Welded Wire Mesh
CLG = CeLLinG	FIN = FINish	NL = Nail	X = except
CMU = CONC Masonry Unit (block)	FL = Floor	FLS = FlaSHing	

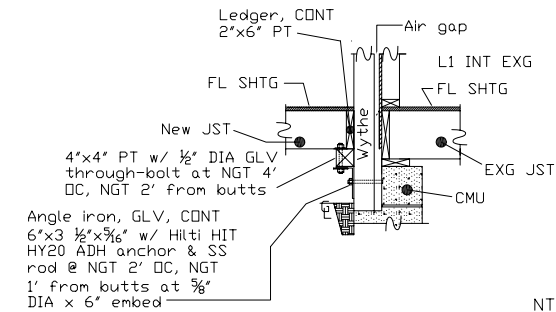
Drawings based on original work of an in-state P.E.

## LEDGER TYPE 1 - DK to House Addition



NTS

## LEDGER TYPE 2 - New to BF



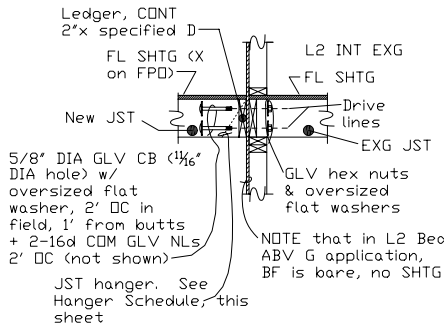
NTS

### JST & BM Hanger Schedule\*

Member #	D	Simpson Strong-Tie Model #
1	x4'	HUS24
1	x6'	HUS26
1	x8'	HUS28
1	x10'	HUS210
2	x6'	HUS26-2**
2	x8'	HUS28-2**
2	x10'	HUS210-2**

\* Shall apply to applications DA, w/out regard to site or material.  
 \*\* HUSC#-# For termini, e.g., HUSC210-2 for 2'x10' BM hanger w/ concealed (C) flanges.

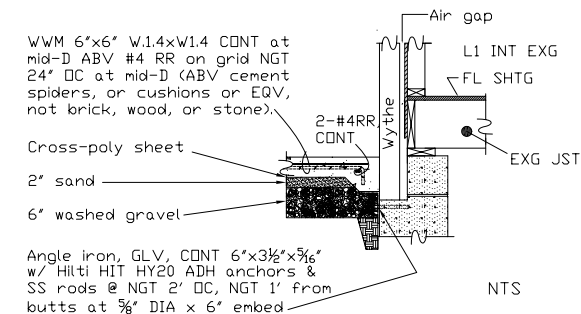
## LEDGER TYPE 3 - New L2 FL (or EQV) to EXG



NTS

NOTE that this application may require demo of top courses of wythe to let 2'x12' members

## LEDGER TYPE 4 - SOG to BF



NTS

Copyright 2003 Before The Architect  
<http://www.beforethearchitect.com>  
 Errors & Omissions

DISCLAIMER: Before The Architect tried to do its best in this design plan based on knowledge, experience, statements, and instructions. However, others will provide on-site consulting, supervise and control construction, and no one on the planet can ever possibly know all the codes, requirements, means, materials, and other conditions involved in this project therefore, there cannot be any warranty, express or implied, w/ respect to the content or use of this plan, including but not limited to any warranty of merchantability or fitness for construction or durability, function, safety, or hazards pre- or post-construction, or any liability for any errors or omissions due to incorrect information shown on this print. Use of this print is absolutely 100% at your own risk.

BIND LEFT