

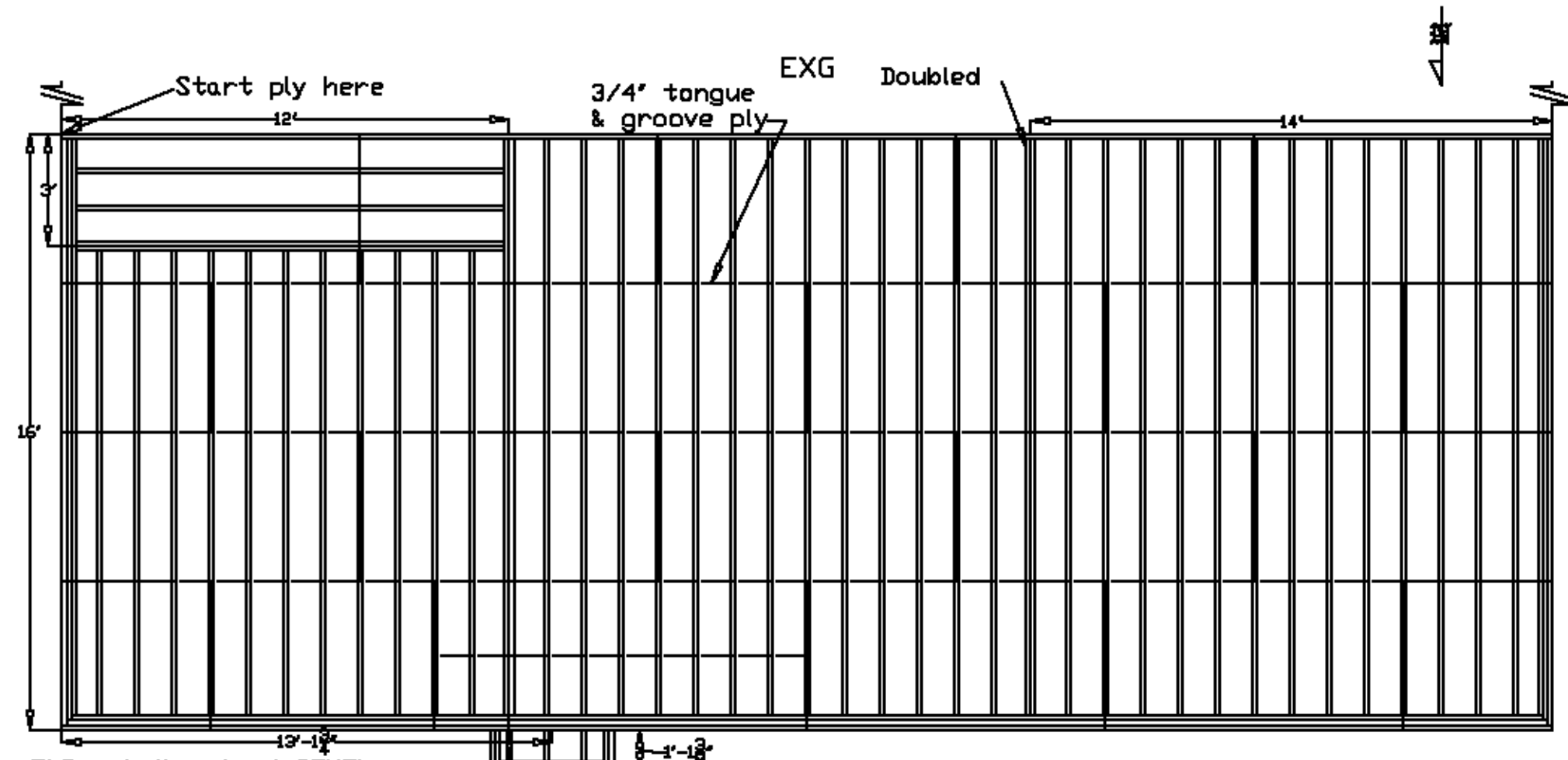
# FRAMING DESIGN PLAN - 1 OF 2

To Scale 1/4"=1'-0", Sheets 1A & 1B shall apply

Drawing 1. FLOOR FRAMING DESIGN PLAN. TS.

Notes

1. Grey lines indicate work done by others.
2. Solid blocking @ NLT midspan and NGT 4'OC, all 3 rows not shown.
3. Fasten Simpson Strong-Tie 2"x10" and 4"x10" hangers to ledger and head JST w/ 10d common galvanized NLS.
4. FLR screwed over CDNT glue bead NLT 1/2" DIA.
5. FLR JSTs shall be 2"x10" PT @ NGT 12"OC, solid @ CDNT over length.



NOTE: INT ply FLRg shall extend CONTLY from main FLR framing onto & fully across platform base with NLT 2' of ply SHTG on main frame. (Platform rises OFL, See Sheet 2B, Drawing 9.) Ply layout DA as drawn is illustrative only.

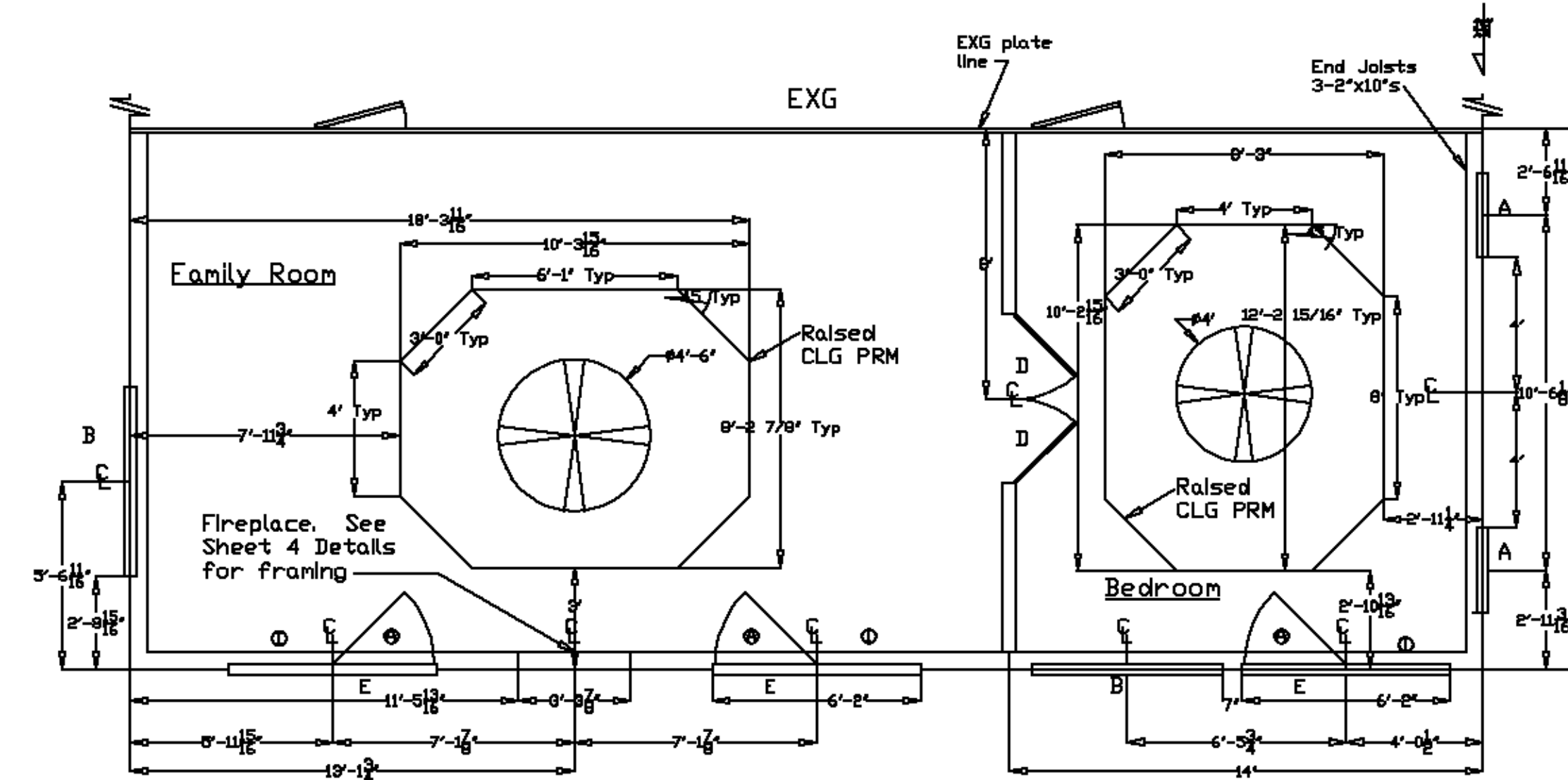
See Sheet 2B Drawing 8 and Drawing 9 on framing chimney chase and fireplace platform for which this is the 2'-2"x10" base, and Sheet 2B Drawing 9 for structural support thereto.

Drawing 2. FLOOR PLAN - FOR CEILING FRAMING REFERENCE. TS.

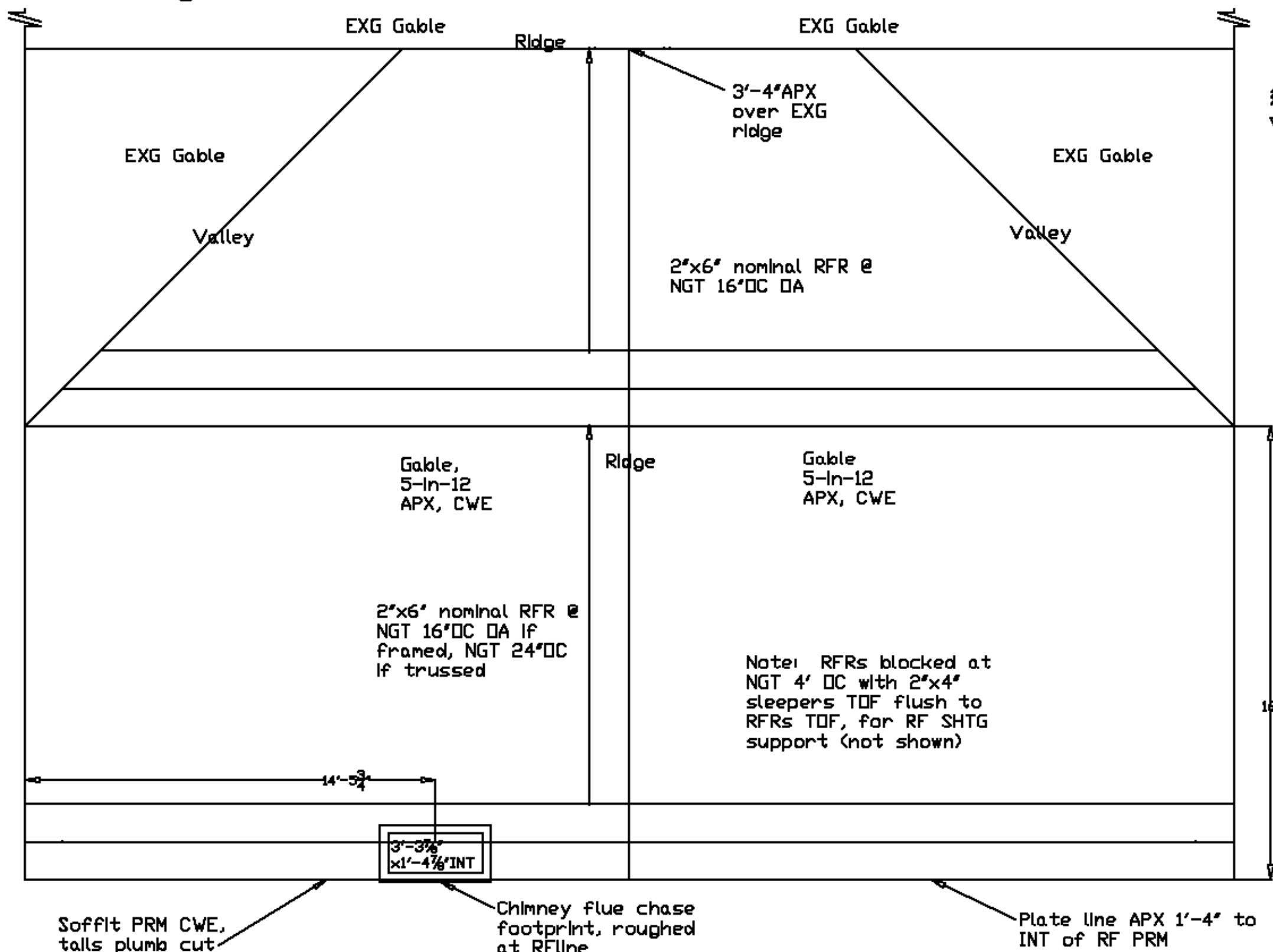
Notes: 1. Additional framing to support fans shall be done by others.

LEGEND

- A = Double-hung w/ transom, single, RD = 30 1/2" x 62 3/4" H.
- B = Double-hung w/ transom, double, RD = 67 1/2" x 62 3/4" H.
- D = 6'-0" x 6'-0" French door, interior, RD = 74" x 82" H.
- E = 6'-0" x 6'-0" French door, exterior, RD = 74" x 82" H.
- ⊕ = Active
- ⊖ = Inactive



Drawing 3. ROOF FRAMING PLAN. TS.



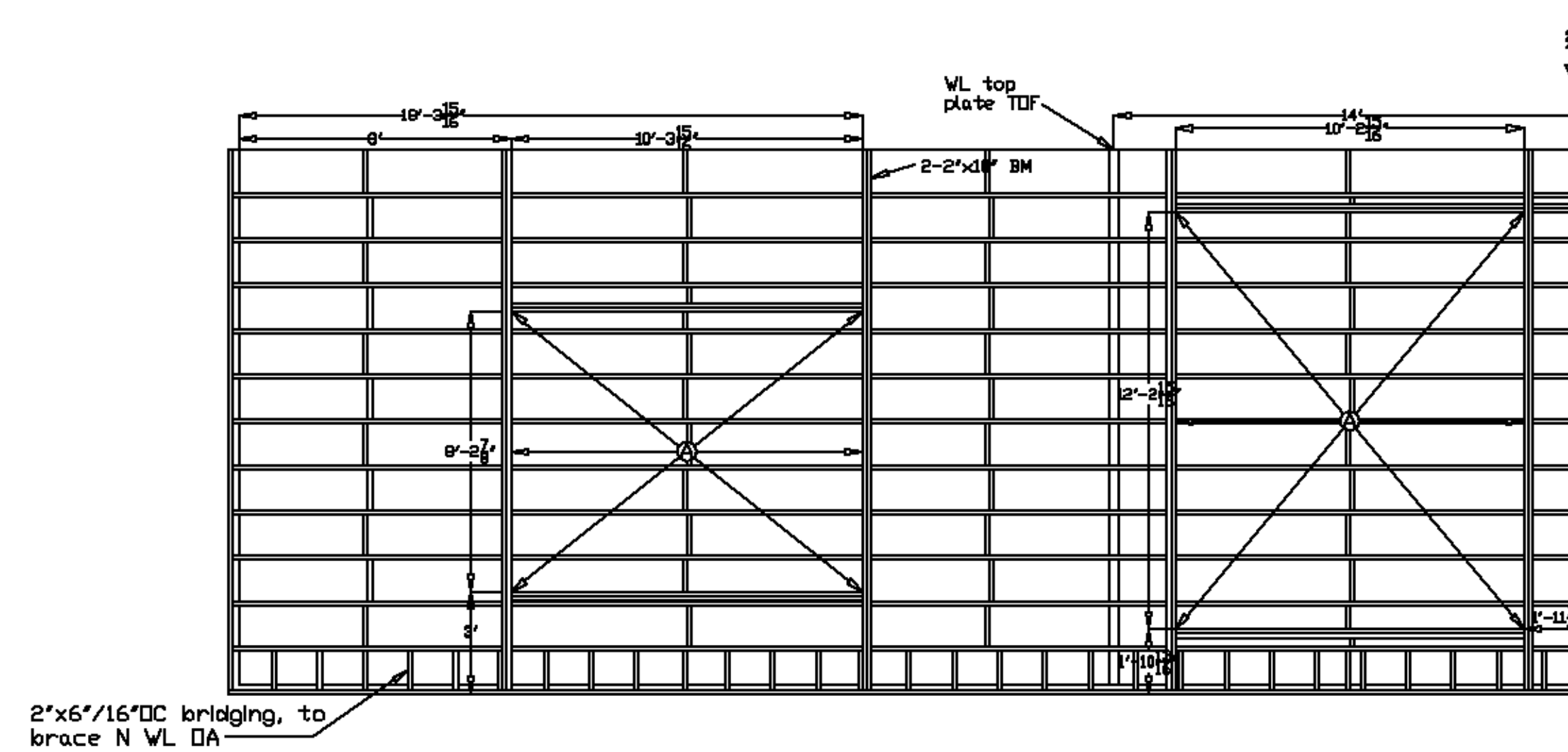
Note: Contractor to determine EXG roof STRCL adequacy to support new loads DA, especially NE over EXG Dining Room. May require attic and INT STRCL framing.

Sheet Key

- APX = Approximately
- BEL = Below
- BM = Beam
- BOF = Bottom Of Face
- CL = Centerline
- CLG = Ceiling
- CWE = Consistent With Existing
- EXG = Existing
- FDR = French Door
- FLR = Floor
- H = Height
- INC = Increase
- INT = Interior
- JST = Joist
- N = North
- NE = Northeast
- NGT = Not Greater Than
- DA = Over
- OC = On Center
- OFL = Over (Rough)
- Floor Level
- OFL = Over Finished Floor Level
- PRM = Perimeter
- RF = Roof
- SHTG = Sheathing
- STRCL = Structural
- TDF = Top Of Face
- TS = To Scale
- Typ = Typical
- W = Width
- WB = Wallboard
- WL = Wall
- X = Except

Drawing 4. CEILING FRAMING PLAN. TS.

1. CLG framing shall be w/ 2"x6"@ NGT 16"OC.
2. WB Nlers not shown.
3. CLGs shall be @ 8' OFFL, X raised CLGs as noted which shall be 9' APX OFFL.
4. Blocking shall be solid, full-depth, at midspans.



LEGEND  
 ⊕ 2'-2"x10" flush at BOF to JST BOF & BEL  
 2'-2"x4" double top plates, to INC INT VERT H 1' APX. (2"x6" JSTs still 16"OC.) See Drawing 2 for DIM and mitres of this raised CLG.

DISCLAIMER: Before The Architect tried to do its best on this design plan print based on knowledge, experience, statements, & instructions. However, others will provide on-site consulting, supervise & control construction, & no one on the planet can ever possibly know all the codes, requirements, means, materials, & other conditions involved in this project therefore, there cannot be any warranty, express or implied, w/ respect to the content or use of this print, including but not limited to any liability of merchantability or fitness of construction, durability, or safety for any errors or omissions due to incorrect information shown on this print. Use of this print is absolutely 100% at your own risk.

FRAMING DESIGN PLAN - 1 OF 2

On: November 25, 2002  
 For: Clients, Southeast US  
 By: Before The Architect  
<http://www.beforethearchitect.com>

SHEET 2A