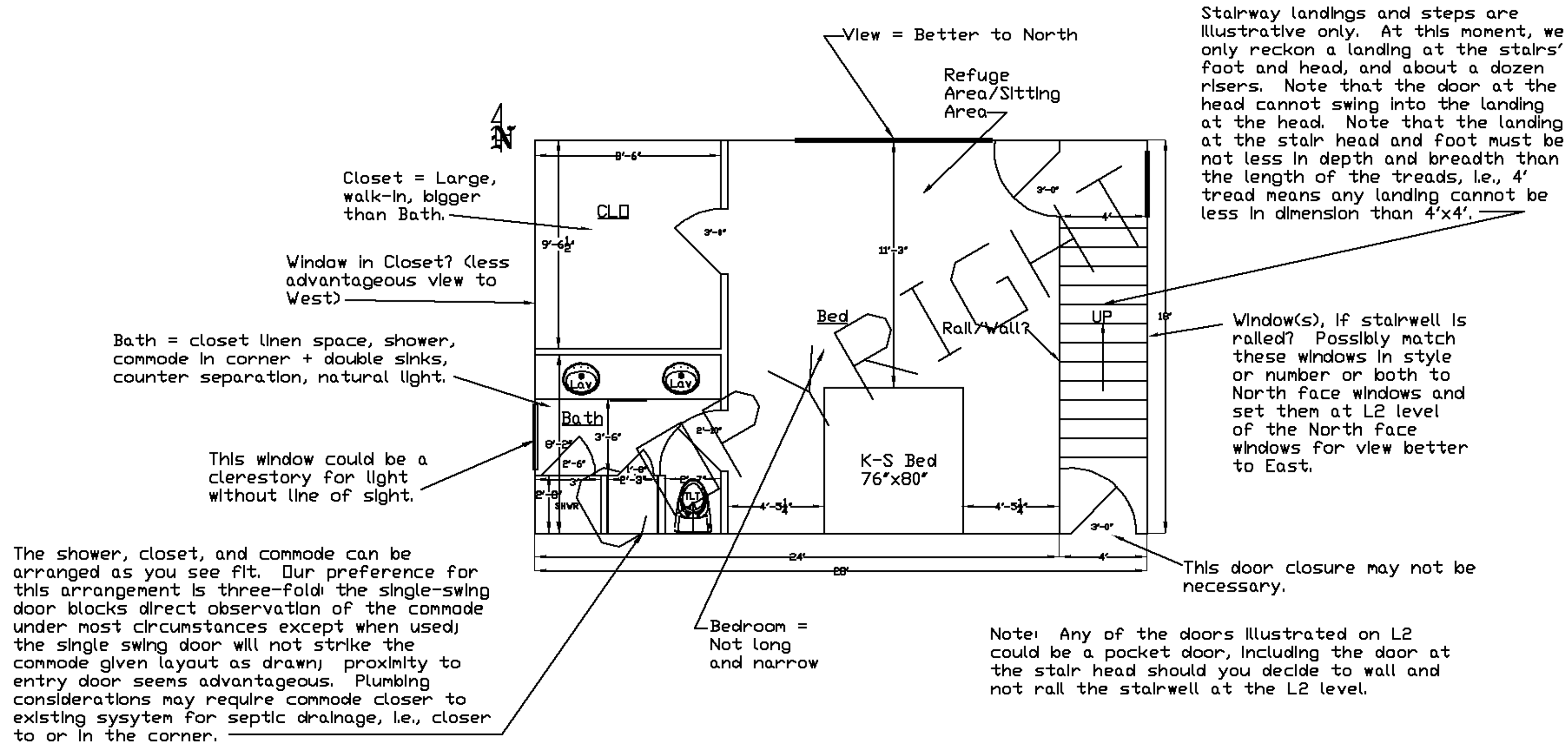


FLOOR PLAN IN FIRST DRAFT OF L2 INHABITABLE AREA - MASTER BEDROOM SUITE -
ADDITION TO EXISTING OVER GARAGE.

Scaled Drawing

NOT FOR CONSTRUCTION. COPYRIGHTED MATERIAL. NOT TO SCALE. COPYRIGHTED MATERIAL. NOT FOR CONSTRUCTION.



NOT FOR CONSTRUCTION. COPYRIGHTED MATERIAL. NOT TO SCALE. COPYRIGHTED MATERIAL. NOT FOR CONSTRUCTION.

DISCLAIMER: Before The Architect tried to do its best on this design plan print based on knowledge, experience, statements, and instructions. However, others will provide on-site consulting, supervise and control construction, and no one on the planet can ever possibly know all the codes, requirements, means, materials, and other conditions involved in this project; therefore, there cannot be any warranty, express or implied, with respect to the content or use of this print, including but not limited to any warranty of merchantability or fitness of construction, durability, function, safety, or hazards pre- or post-construction, or any liability for any errors or omissions due to incorrect information shown on this print. Use of this print is absolutely 100% at your own risk.

RESIDENTIAL FLOOR DESIGN PLAN
 On: NOVEMBER 11, 2002
 For: Client, Michigan
 By: Before The Architect,
<http://www.beforethearchitect.com>